

## Extend the Life of your Hydraulic Elevator System!

The MEI Silencer is an in-line device that reduces the noise and vibration of any hydraulic power unit (similar to the muffler on an automobile).

## Reduced Pulsations = Reduced Noise, Leakage, and Component Wear.

Pump pulsations cause vibrations. Transmitted by the piping throughout the system, vibrations cause noise, leakage, and early component failure. When the MEI Silencer stops the pulsations, it stops the source of the vibrations. This improves system performance and reduces service calls, pleasing your client and improving your reputation.

### Benefits

- 40-60% reduction in system noise and vibration
- Extended component life
- Fewer leaks
- Lower long-term system maintenance costs
- Smoother system operation

### How it Works

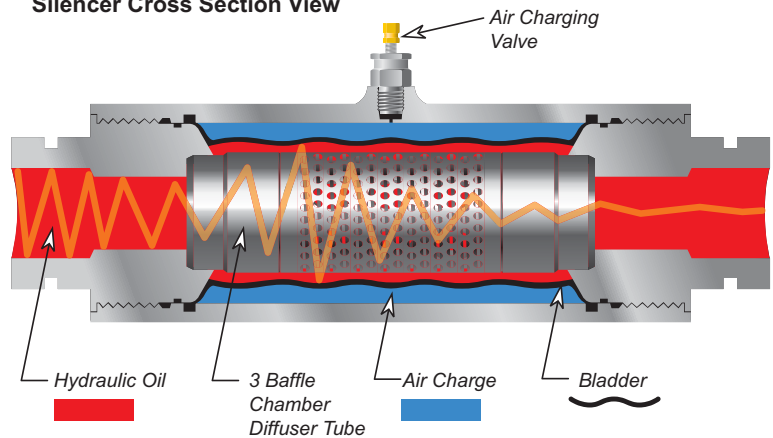
Hydraulic pulsations (noise) enter the silencer and go through three different noise baffles or diffusers. After passing through these baffles, the pulsations then strike a rubber tube, or bladder, charged with air to 35% to 50% of the hydraulic operating pressure. Hit by a pulsation, the bladder deflects slightly, reducing the size of the pulsation and therefore, the noise.

### Recommended Applications

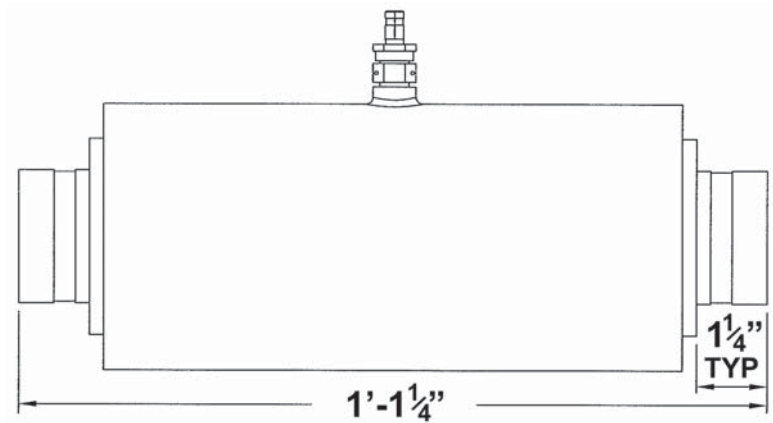
- Dry or submersible hydraulic power units for all hydraulic elevator car types.



Silencer Cross Section View



Part No.	Description
19316	Silencer 2" GRV x 2" GRV (100 max. GPM)
19317	Silencer 2" GRV x 2" GRV (220 max. GPM)
19319	Silencer 3" GRV x 2 1/2" GRV (360 max. GPM)
19315	Valve Stem Retrofit Kit



# PRODUCT ORDER FORM

Minnesota Elevator, Inc.  
**SILENCER**



**ORDER INFORMATION:**

Order Date \_\_\_\_\_

Quantity	Part No.	Description	PPU	Total
	19317	Silencer 2" GRV x 2" GRV (220 max. GPM)	\$444.00	
	19319	Silencer 3" GRV x 2 1/2" GRV (360 max. GPM)	\$511.00	

**BILLING INFORMATION:**

Company Name \_\_\_\_\_

Ordered/Authorized By \_\_\_\_\_

PO # \_\_\_\_\_

Billing Address \_\_\_\_\_

Phone \_\_\_\_\_ Fax \_\_\_\_\_

E-mail (optional) \_\_\_\_\_

**SHIPPING INFORMATION:** *Estimated ship weight: 30 lbs. Size: 15" W x 6" H x 6" D*

Preferred Carrier \_\_\_\_\_  
*(if no preference is indicated, MEI will determine carrier)*

Ship Method  Next Day Air-AM Delivery  Next Day Air  2-Day Air  3-5 Day Ground

Freight Billing  Pre-Paid & Add  Collect  3rd Party

Shipping Address (if different from above) \_\_\_\_\_

Phone \_\_\_\_\_ Fax \_\_\_\_\_

**This order form may be mailed, faxed or e-mailed to:**  
 Minnesota Elevator, Inc. • 19336 607<sup>th</sup> Avenue • Mankato, MN 56001  
 ph: 507-245-3060 • fax: 507-245-4198 • email: mei@minnesotaelevator.com