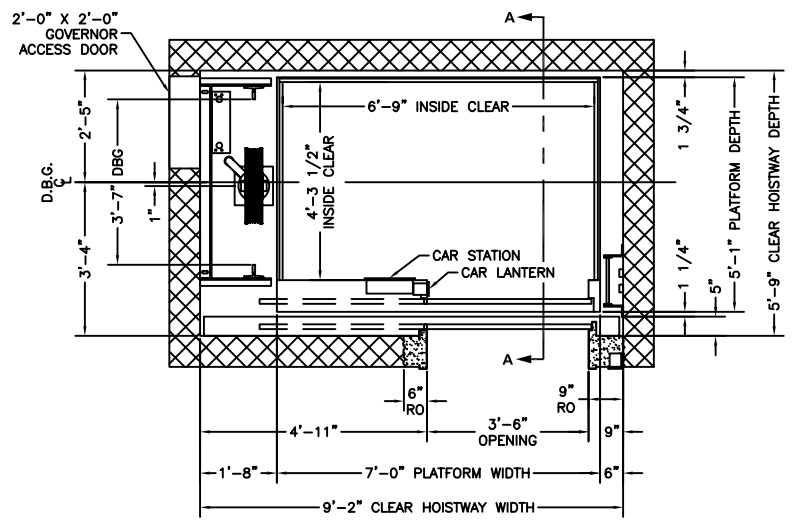


**SECTION A-A
ELEVATION VIEW**
GOVERNOR
TENSION
SHEAVE



PLAN VIEW HOISTWAY