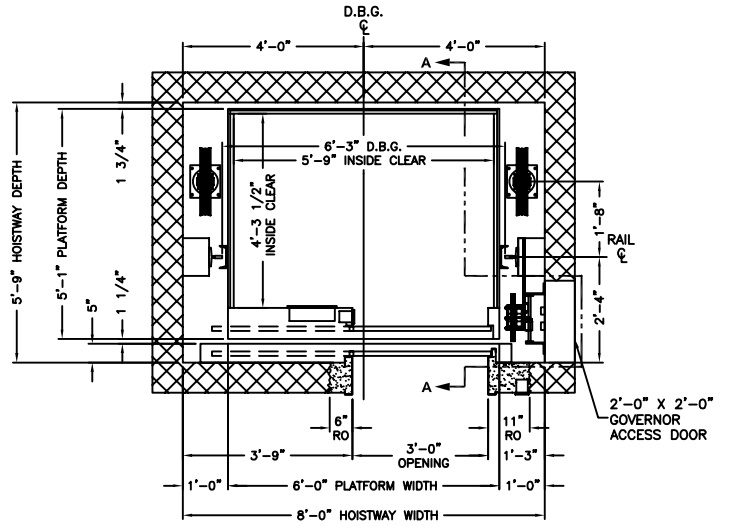
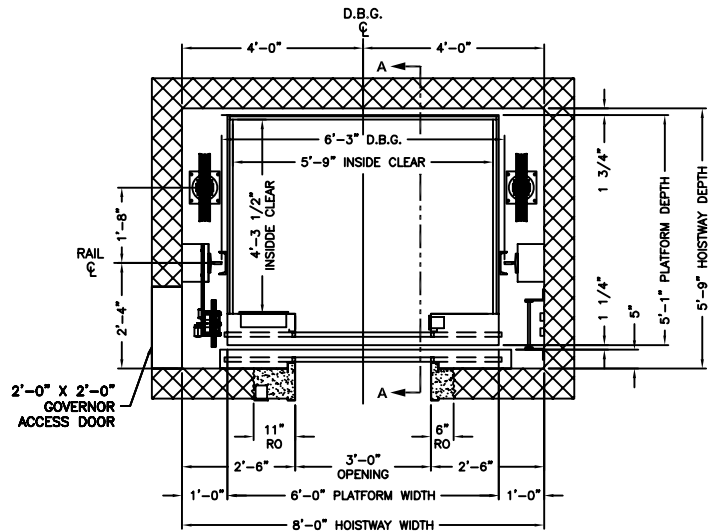


SECTION A-A
ELEVATION VIEW



PLAN VIEW HOISTWAY



PLAN VIEW HOISTWAY